



# IGNITOR SPECIFICATION

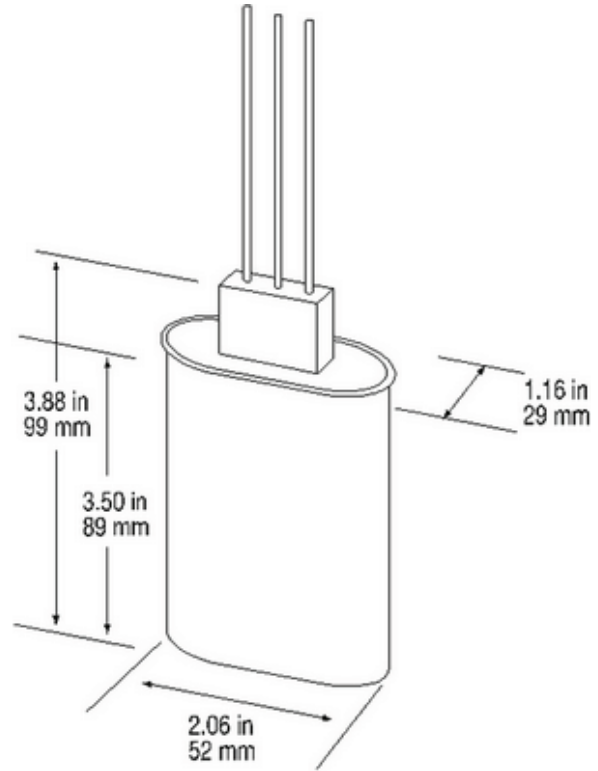
Part Number: BVS-012  
BMS-012

## 200-430W HPS Sentinel Timed IMP Ignitor with Quick Connect



Maximum Case Temperature:	105°C
Peak Voltage:	2500-4000
Case Height:	3.50 IN
Case Diameter:	1.16 IN
Case Width:	2.06 IN

**Includes integral timer which automatically disables the ignitor from pulsing after 6 minutes (power shut off is required to reset timer). Refer to the applicable ballast spec for the wiring diagram and ballast to lamp (BTL) mounting distance.**



Data is based upon tests performed by Venture Lighting in a controlled environment and is representative of relative performance. Actual performance can vary depending on operating conditions. Specifications are subject to change without notice.