



# IGNITOR SPECIFICATION

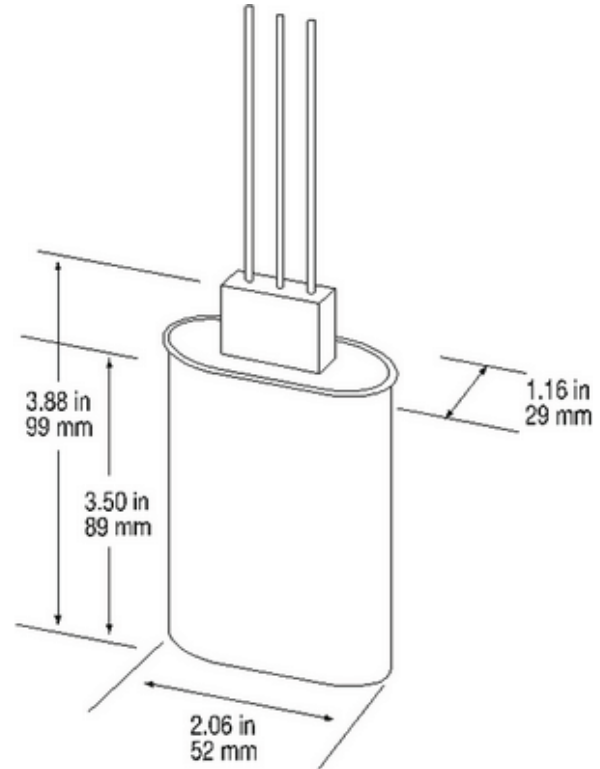
Part Number: BVS-016  
BMS-016

## 35-150W HPS Sentinel Timed IMP Ignitor with Quick Connect



Maximum Case Temperature:	105°C
Peak Voltage:	2500-4000
Case Height:	3.50 IN
Case Diameter:	1.16 IN
Case Width:	2.06 IN

Includes integral timer which automatically disables the ignitor from pulsing after 6 minutes (power shut off is required to reset timer). Refer to the applicable ballast spec for the wiring diagram and ballast to lamp (BTL) mounting distance.



Data is based upon tests performed by Venture Lighting in a controlled environment and is representative of relative performance. Actual performance can vary depending on operating conditions. Specifications are subject to change without notice.