



IGNITOR SPECIFICATION

Part Number: BVS-020
BMS-020

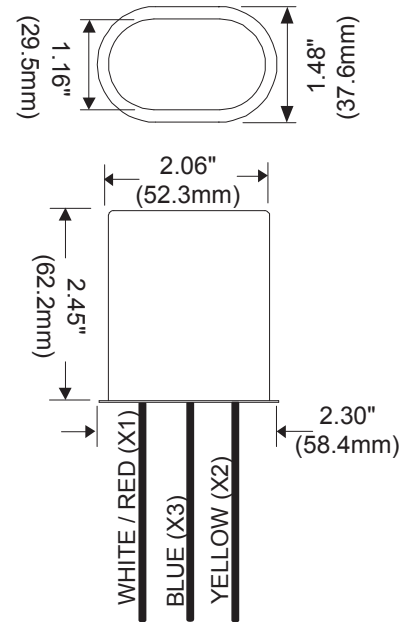
High Wattage IMP Ignitor



Maximum Case Temperature:	105°C
Peak Voltage:	3000-5000*
Case Height:	2.45 IN
Case Diameter:	1.48 IN
Case Width:	2.06 IN

Refer to the applicable Venture ballast spec for the wiring diagram and ballast to lamp (BTL) mounting distance limit.

*Peak Voltage is ballast dependent (3000-5000 for 1000W HPS ballasts and 3000-4000 for PSMH ballasts).



OVAL IGNITOR

Data is based upon tests performed by Venture Lighting in a controlled environment and is representative of relative performance. Actual performance can vary depending on operating conditions. Specifications are subject to change without notice.