



# IGNITOR SPECIFICATION

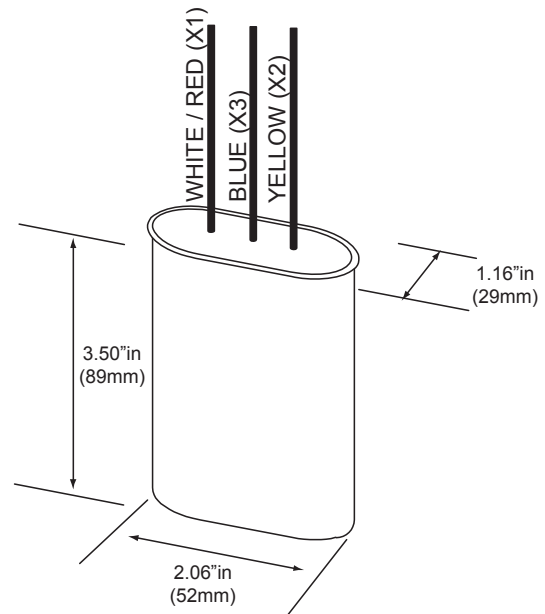
Part Number: BVS-020-T

## High Wattage PSMH Sentinel Timed IMP Ignitor



|                           |           |
|---------------------------|-----------|
| Maximum Case Temperature: | 105°C     |
| Peak Voltage:             | 3000-4000 |
| Case Height:              | 3.50 IN   |
| Case Diameter:            | 1.16 IN   |
| Case Width:               | 2.06 IN   |

**Includes integral timer which automatically disables the ignitor from pulsing after 30 minutes (power shut off is required to reset timer). Refer to the applicable Venture ballast spec for the wiring diagram and ballast to lamp (BTL) mounting distance.**



OVAL IGNITOR

Data is based upon tests performed by Venture Lighting in a controlled environment and is representative of relative performance. Actual performance can vary depending on operating conditions. Specifications are subject to change without notice.