



# IGNITOR SPECIFICATION

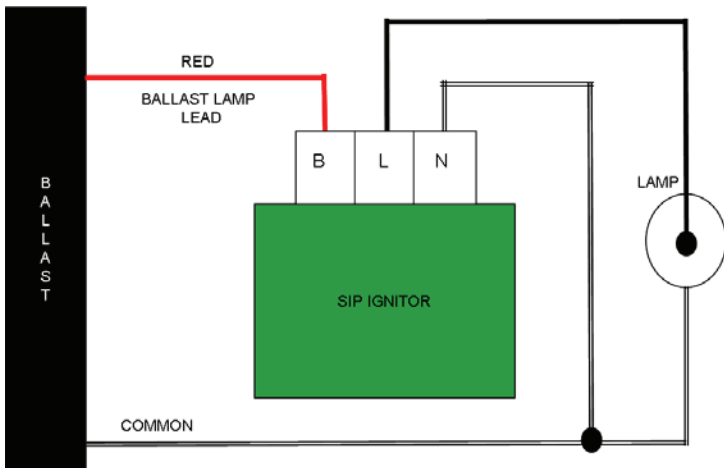
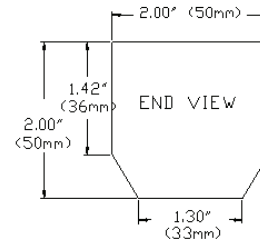
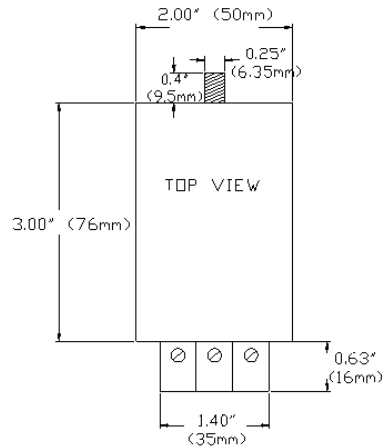
Part Number: BVS-046  
BMS-046

## 600W HPS Remote SIP Ignitor



- Maximum Case Temperature:** 105°C
- Peak Voltage:** 4000-4500
- Case Height:** 3.00 IN
- Case Diameter:** 2.00 IN
- Case Width:** 2.00 IN

**Ignitor must be mounted within 15ft of lamp when remote mounted from ballast. This series superimposed (SIP) ignitor is rated for a max lamp current of 7.5A.**



BVS046 Remote Mounting Maximum Ballast To Lamp Distance (BTL) in feet						
Lamp Wattage	ANSI Code	AWG 10 Wire	AWG 12 Wire	AWG 14 Wire	AWG 16 Wire	AWG 18 Wire
600W HPS	S106	105	70	45	25	N/A

Note 1: A minimum 5KV pulse rated lamp socket must be used.

Data is based upon tests performed by Venture Lighting in a controlled environment and is representative of relative performance. Actual performance can vary depending on operating conditions. Specifications are subject to change without notice.