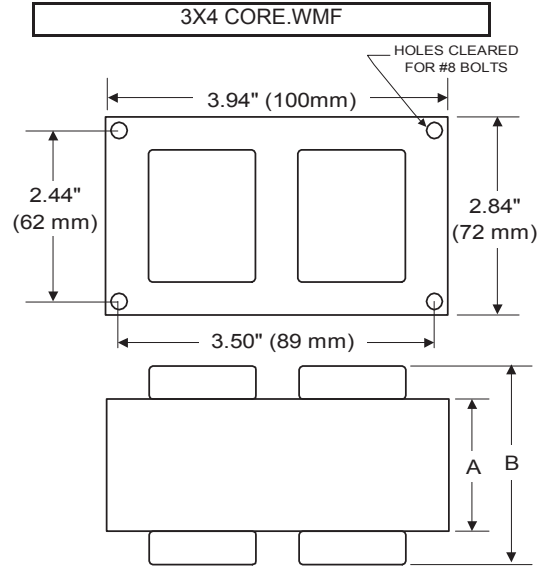




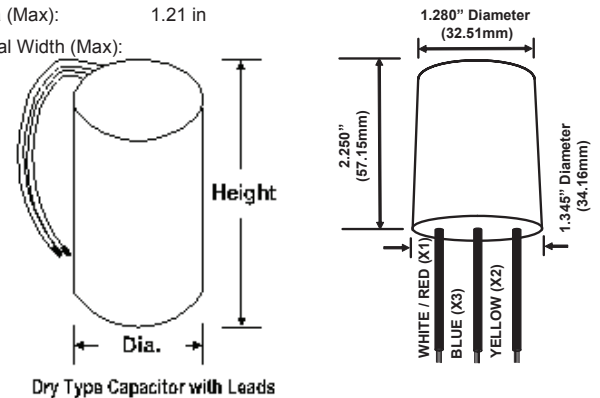
BALLAST SPECIFICATION

70W S62
High Pressure Sodium
V90J1232
60 Hz HX C&C

Input Volts	120	277	347
Line Current (Amps)			
Operating	0.80	0.35	0.30
Open Circuit	1.50	0.65	0.55
Starting			
Recommended Fuse (Amps)	2	1	1
Regulation			
Line Volts	±5%	±5%	±5%
Lamp Watts	±10%	±10%	±10%
Temperature Ratings			
Insulation Class	180 (H)	180 (H)	180 (H)
Coil Temperature Code	D	D	D
Benchtop Coil Rise			
Power Factor (%) HPF	90	90	90
Input Watts	91 W	91 W	91 W
Efficiency			
NOM. Open Circuit Voltage	125	125	125
Input Voltage At Lamp Dropout			
Min Ambient Starting Temp	-40°F/-40°C	-40°F/-40°C	-40°F/-40°C
60 HZ TEST PROCEDURES			
High Potential Test (Volts)			
1 Minute	2,000 V	2,000 V	2,000 V
1 Second	2,500 V	2,500 V	2,500 V
Open Circuit Voltage Test (V)	115 - 140	115 - 140	115 - 140
Short Circuit Current Test (A)			
Secondary Current	Min .00 Max .00	Min .00 Max .00	Min .00 Max .00
Input Current	Min Max	Min Max	Min Max
CORE and COIL Specifications			
Dimension (A)	1.10 in	1.10 in	1.10 in
Dimension (B)	2.50 in	2.50 in	2.50 in
Weight	4.0 lb's	4.0 lb's	4.0 lb's
Lead Lengths	12 "	12 "	12 "
Capacitor Requirement			
Microfarads	7.0 uf	7.0 uf	7.0 uf
Volts (Min)	280 V	280 V	280 V



Capacitor:	ACG226	Ignitor:	BVS-006-A
Microfarads:	7.0 uf	Case Temp (Max):	105 °C
Volts (Max):	330 V	BTL Distance (Max)	12 ft
Case Temp (Max)	100 °C		
Height (Max):	2.76 in		
Dia (Max):	1.21 in		
Oval Width (Max):			



Ordering Information Add Suffix for options
 C - With Dry Capacitor
 CB - With Dry Capacitor and Welded Bracket
 B - With Welded Bracket, no Capacitor
 K - Prewired, with Dry Capacitor and Bracket Kit

Data is based upon tests performed by Venture Lighting in a controlled environment and is representative of relative performance. Actual performance can vary depending on operating conditions. Specifications are subject to change without notice.

08/25/2022 **Production** Coil Material (PRI/SEC): Cu / Cu



RoHS

