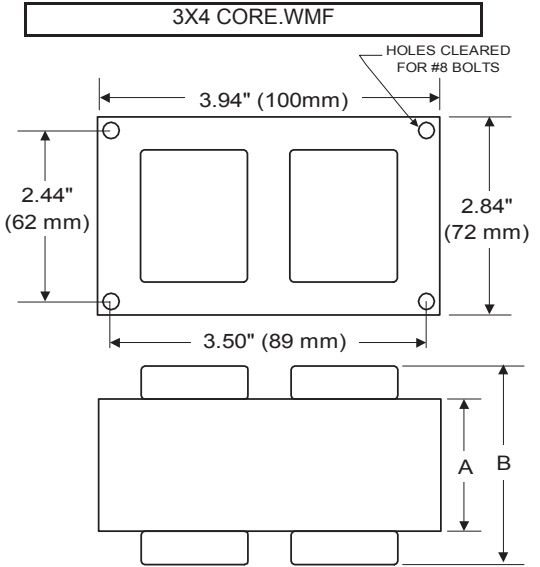




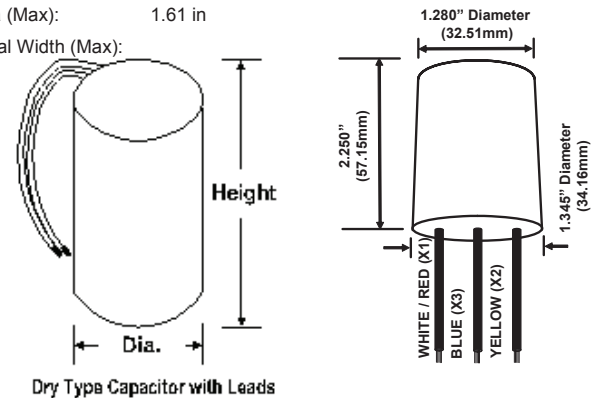
BALLAST SPECIFICATION

150W S55
High Pressure Sodium
V90J1434
60 Hz HX C&C

Input Volts	120	277	347
Line Current (Amps)			
Operating	1.60	0.65	0.60
Open Circuit	3.15	1.30	1.10
Starting	1.50	0.55	0.55
Recommended Fuse (Amps)	8	4	3
Regulation			
Line Volts	±5%	±5%	±5%
Lamp Watts	±11%	±11%	±11%
Temperature Ratings			
Insulation Class	180 (H)	180 (H)	180 (H)
Coil Temperature Code	D	B	C
Benchtop Coil Rise	89.9	75.6	82.4
Power Factor (%) HPF	90	90	90
Input Watts	185 W	185 W	185 W
Efficiency			
NOM. Open Circuit Voltage	130	130	130
Input Voltage At Lamp Dropout	90	210	260
Min Ambient Starting Temp	-40°F/-40°C	-40°F/-40°C	-40°F/-40°C
60 HZ TEST PROCEDURES			
High Potential Test (Volts)			
1 Minute	2,000 V	2,000 V	2,000 V
1 Second	2,500 V	2,500 V	2,500 V
Open Circuit Voltage Test (V)	115 - 145	115 - 145	115 - 145
Short Circuit Current Test (A)			
Secondary Current			
Min	3.80	3.80	3.80
Max	4.65	4.65	4.65
Input Current			
Min	1.35	0.45	0.45
Max	2.05	0.75	0.75
CORE and COIL Specifications			
Dimension (A)	2.50 in	2.50 in	2.50 in
Dimension (B)	3.95 in	3.95 in	3.95 in
Weight	8.0 lb's	8.0 lb's	8.0 lb's
Lead Lengths	12 "	12 "	12 "
Capacitor Requirement			
Microfarads	13.5 uf	13.5 uf	13.5 uf
Volts (Min)	290 V	290 V	290 V



Capacitor:	ACG160	Ignitor:	BVS-006-A
Microfarads:	13.5 uf	Case Temp (Max):	105 °C
Volts (Max):	330 V	BTL Distance (Max)	12 ft
Case Temp (Max)	100 °C		
Height (Max):	2.76 in		
Dia (Max):	1.61 in		
Oval Width (Max):			

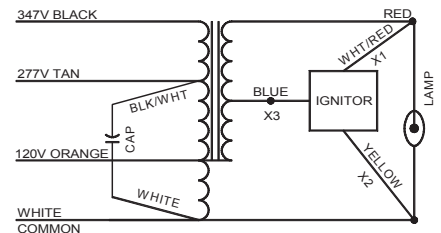


Ordering Information Add Suffix for options

K - Prewired, with Dry Capacitor and Bracket Kit

Data is based upon tests performed by Venture Lighting in a controlled environment and is representative of relative performance. Actual performance can vary depending on operating conditions. Specifications are subject to change without notice.

08/25/2022 Production Coil Material (PRI/SEC): Cu / Cu



RoHS