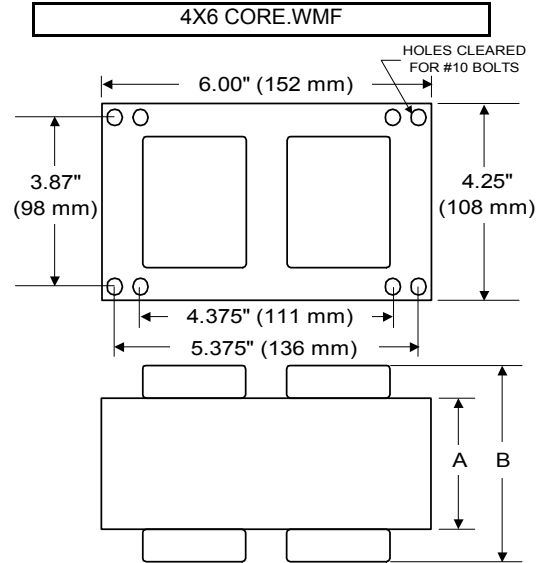




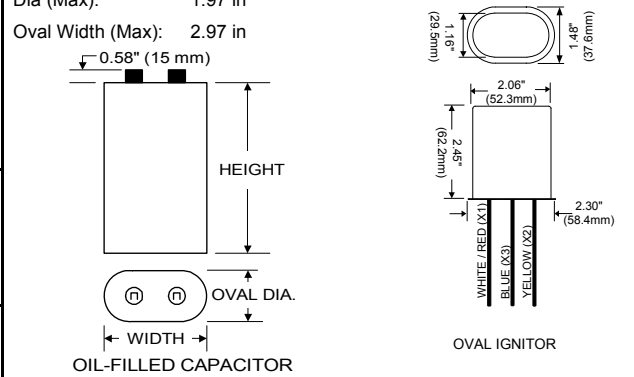
BALLAST SPECIFICATION

1000W M141
Pulse Start Metal Halide
V90AM7810
60 Hz CWA C&C

Input Volts	120	208	240	277	480
Line Current (Amps)					
Operating	9.10	5.25	4.50	4.00	2.35
Open Circuit	7.65	4.65	3.80	3.45	2.15
Starting	3.80	2.45	2.25	1.85	1.00
Recommended Fuse (Amps)	25	15	12	10	6
Regulation					
Line Volts	±10%	±10%	±10%	±10%	±10%
Lamp Watts	±10%	±10%	±10%	±10%	±10%
Temperature Ratings					
Insulation Class	180 (H)	180 (H)	180 (H)	180 (H)	180 (H)
Coil Temperature Code	E	B	C	C	D
Benchtop Coil Rise	91.2	79.5	81.2	84.9	88.3
Power Factor (%) HPF	90	90	90	90	90
Input Watts	1068 W	1068 W	1068 W	1068 W	1068 W
Efficiency	93.6%	93.6%	93.6%	93.6%	93.6%
NOM. Open Circuit Voltage	425	425	425	425	425
Input Voltage At Lamp Dropout	75	125	145	170	285
Min Ambient Starting Temp	-20°F/-30°C*	-20°F/-30°C*	-20°F/-30°C*	-20°F/-30°C*	-20°F/-30°C*
60 HZ TEST PROCEDURES					
High Potential Test (Volts)					
1 Minute	2,000 V	2,000 V	2,000 V	2,000 V	2,000 V
1 Second	2,400 V	2,400 V	2,400 V	2,400 V	2,400 V
Open Circuit Voltage Test (V)	375 - 450	375 - 450	375 - 450	375 - 450	375 - 450
Short Circuit Current Test (A)					
Secondary Current	Min 4.75	4.75	4.75	4.75	4.75
Max 5.85	5.85	5.85	5.85	5.85	5.85
Input Current	Min 2.70	1.80	1.65	1.40	0.75
Max 4.00	2.70	2.50	2.10	1.15	1.15
CORE and COIL Specifications					
Dimension (A)	3.00 in	3.00 in	3.00 in	3.00 in	3.00 in
Dimension (B)	5.15 in	5.15 in	5.15 in	5.15 in	5.15 in
Weight	19.5 lb's	19.5 lb's	19.5 lb's	19.5 lb's	19.5 lb's
Lead Lengths	12 "	12 "	12 "	12 "	12 "
Capacitor Requirement					
Microfarads	24.0 uf	24.0 uf	24.0 uf	24.0 uf	24.0 uf
Volts (Min)	480 V	480 V	480 V	480 V	480 V



Capacitor:	ACB2200V	Ignitor:	BVS-020
Microfarads:	24.0 uf	Case Temp (Max):	105 °C
Volts (Max):	480 V	BTL Distance (Max)	10 ft
Case Temp (Max)	100 °C		
Height (Max):	4.03 in		
Dia (Max):	1.97 in		
Oval Width (Max):	2.97 in		



Ordering Information Add Suffix for options

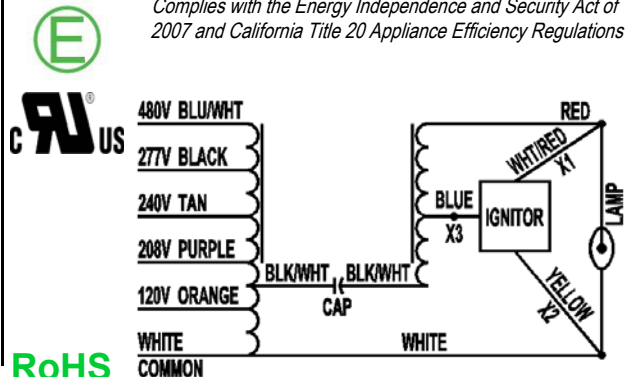
K - Prewired, with Oil-Filled Capacitor and Bracket Kit

* -40°F/-40°C Min Ambient Starting Temp with Venture Lamp

Data is based upon tests performed by Venture Lighting in a controlled environment and is representative of relative performance. Actual performance can vary depending on operating conditions. Specifications are subject to change without notice.

08/30/2022 Production Coil Material (PRI/SEC): Cu / Al

Complies with the Energy Independence and Security Act of 2007 and California Title 20 Appliance Efficiency Regulations



RoHS