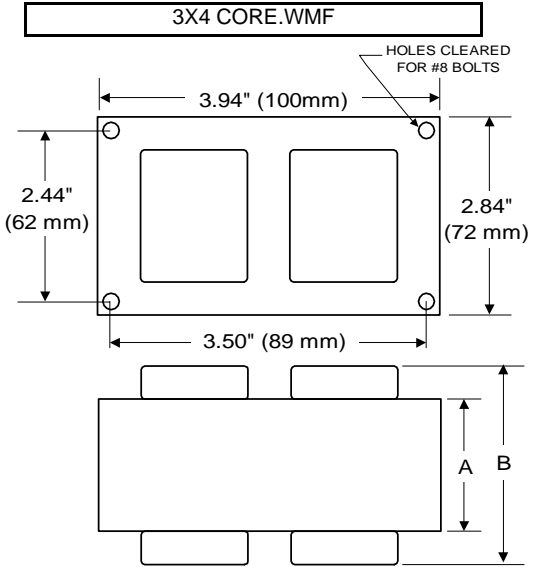




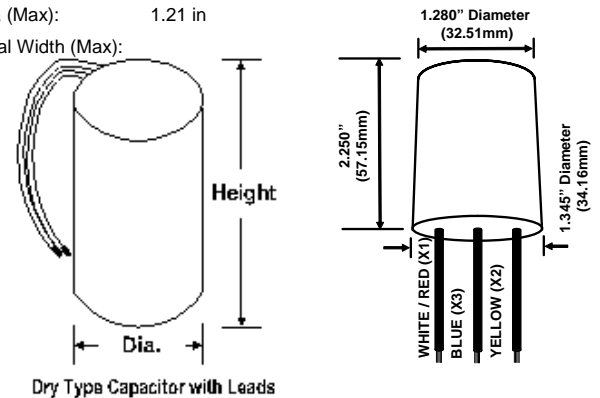
BALLAST SPECIFICATION

70W M98
Pulse Start Metal Halide
V90D5833
60 Hz HX C&C

| | | | | |
|---------------------------------------|--------------|--------------|--------------|--------------|
| Input Volts | 120 | 208 | 240 | 277 |
| Line Current (Amps) | | | | |
| Operating | 0.80 | 0.45 | 0.40 | 0.35 |
| Open Circuit | 1.65 | 0.95 | 0.80 | 0.70 |
| Starting | 0.75 | 0.55 | 0.50 | 0.35 |
| Recommended Fuse (Amps) | 4 | 3 | 2 | 2 |
| Regulation | | | | |
| Line Volts | ±5% | ±5% | ±5% | ±5% |
| Lamp Watts | ±8% | ±8% | ±8% | ±8% |
| Temperature Ratings | | | | |
| Insulation Class | 180 (H) | 180 (H) | 180 (H) | 180 (H) |
| Coil Temperature Code | A | A | A | A |
| Benchtop Coil Rise | 60.9 | 63.0 | 62.4 | 64.1 |
| Power Factor (%) HPF | 90 | 90 | 90 | 90 |
| Input Watts | 92 W | 92 W | 92 W | 92 W |
| Efficiency | 76.0% | 76.0% | 76.0% | 76.0% |
| NOM. Open Circuit Voltage | 250 | 250 | 250 | 250 |
| Input Voltage At Lamp Dropout | 85 | 140 | 165 | 185 |
| Min Ambient Starting Temp | -20°F/-30°C* | -20°F/-30°C* | -20°F/-30°C* | -20°F/-30°C* |
| 60 HZ TEST PROCEDURES | | | | |
| High Potential Test (Volts) | | | | |
| 1 Minute | 1,600 V | 1,600 V | 1,600 V | 1,600 V |
| 1 Second | 1,900 V | 1,900 V | 1,900 V | 1,900 V |
| Open Circuit Voltage Test (V) | 225 - 275 | 225 - 275 | 225 - 275 | 225 - 275 |
| Short Circuit Current Test (A) | | | | |
| Secondary Current | | | | |
| Min | .95 | .95 | .95 | .95 |
| Max | 1.20 | 1.20 | 1.20 | 1.20 |
| Input Current | | | | |
| Min | 0.45 | 0.25 | 0.25 | 0.20 |
| Max | 0.85 | 0.50 | 0.45 | 0.40 |
| CORE and COIL Specifications | | | | |
| Dimension (A) | 1.45 in | 1.45 in | 1.45 in | 1.45 in |
| Dimension (B) | 2.85 in | 2.85 in | 2.85 in | 2.85 in |
| Weight | 4.6 lb's | 4.6 lb's | 4.6 lb's | 4.6 lb's |
| Lead Lengths | 12 " | 12 " | 12 " | 12 " |
| Capacitor Requirement | | | | |
| Microfarads | 8.0 uf | 8.0 uf | 8.0 uf | 8.0 uf |
| Volts (Min) | 280 V | 280 V | 280 V | 280 V |



| | | | |
|-------------------|---------|--------------------|---------|
| Capacitor: | ACG310 | Ignitor: | BVS-032 |
| Microfarads: | 8.0 uf | Case Temp (Max): | 105 °C |
| Volts (Max): | 280 V | BTL Distance (Max) | 2 ft |
| Case Temp (Max) | 100 °C | | |
| Height (Max): | 2.76 in | | |
| Dia (Max): | 1.21 in | | |
| Oval Width (Max): | | | |

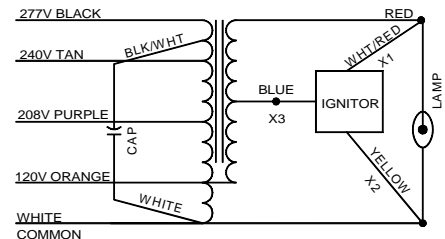


Ordering Information Add Suffix for options

K - Prewired, with Dry Capacitor and Bracket Kit

* -40°F/-40°C Min Ambient Starting Temp with Venture Lamp

Data is based upon tests performed by Venture Lighting in a controlled environment and is representative of relative performance. Actual performance can vary depending on operating conditions. Specifications are subject to change without notice.



RoHS

08/25/2022 Production Coil Material (PRI/SEC): Cu / Al