



BALLAST SPECIFICATION

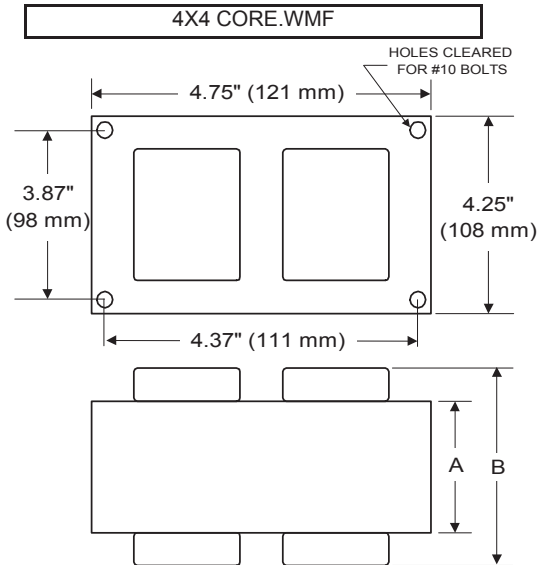
320W M132 / M154

Pulse Start Metal Halide

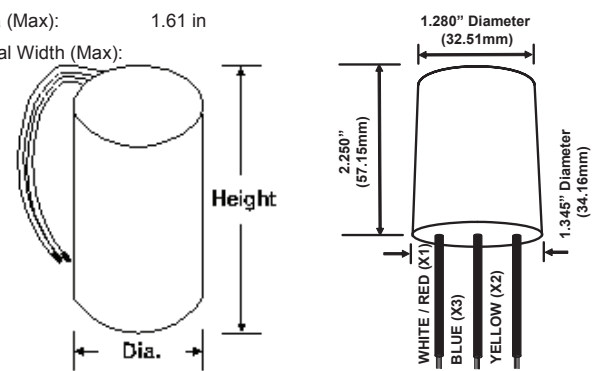
V90Y7412T

60 Hz CWA C&C

Input Volts	480
Line Current (Amps)	
Operating	0.80
Open Circuit	0.40
Starting	0.65
Recommended Fuse (Amps)	3
Regulation	
Line Volts	±10%
Lamp Watts	±9%
Temperature Ratings	
Insulation Class	180 (H)
Coil Temperature Code	A
Benchtop Coil Rise	74.1
Power Factor (%) HPF	90
Input Watts	364 W
Efficiency	88.0%
NOM. Open Circuit Voltage	280
Input Voltage At Lamp Dropout	300
Min Ambient Starting Temp	-20°F/-30°C*
60 HZ TEST PROCEDURES	
High Potential Test (Volts)	
1 Minute	2,000 V
1 Second	2,400 V
Open Circuit Voltage Test (V)	250 - 305
Short Circuit Current Test (A)	
Secondary Current	Min 3.00 Max 3.65
Input Current	Min 0.50 Max 0.75
CORE and COIL Specifications	
Dimension (A)	2.00 in
Dimension (B)	4.10 in
Weight	10.5 lb's
Lead Lengths	12 "
Capacitor Requirement	
Microfarads	22.0 uf
Volts (Min)	330 V



Capacitor:	ACG306	Ignitor:	BVS-041
Microfarads:	22.0 uf	Case Temp (Max):	105 °C
Volts (Max):	330 V	BTL Distance (Max)	2 ft
Case Temp (Max)	100 °C		
Height (Max):	3.68 in		
Dia (Max):	1.61 in		
Oval Width (Max):			



Dry Type Capacitor with Leads

Ordering Information Add Suffix for options

- C - With Dry Capacitor
- CB - With Dry Capacitor and Welded Bracket
- B - With Welded Bracket, no Capacitor
- K - Prewired, with Dry Capacitor and Bracket Kit

* -40°F/-40°C Min Ambient Starting Temp with Venture Lamp

Data is based upon tests performed by Venture Lighting in a controlled environment and is representative of relative performance. Actual performance can vary depending on operating conditions. Specifications are subject to change without notice.

08/25/2022 Production Coil Material (PRI/SEC): Cu / Al



RoHS

