



**BALLAST SPECIFICATION**

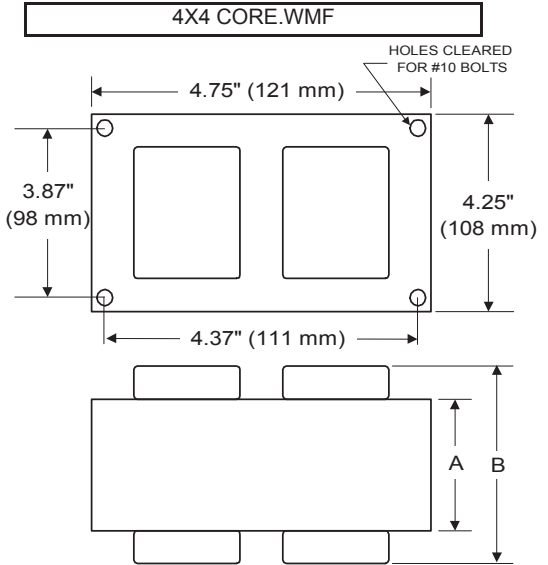
**400W M59**

**Metal Halide**

**V90AM6411**

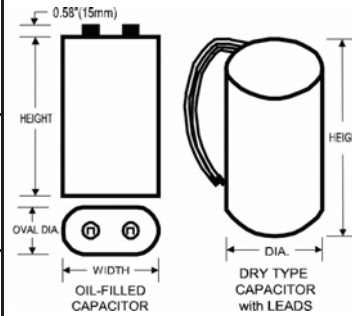
**60 Hz CWA C&C**

<b>Input Volts</b>	120	208	240	277	480
<b>Line Current ( Amps )</b>					
Operating	4.00	2.40	2.00	1.70	1.00
Open Circuit	2.15	1.45	1.10	0.95	0.55
Starting	3.45	2.05	1.75	1.50	0.90
<b>Recommended Fuse (Amps)</b>	10	6	5	4	3
<b>Regulation</b>					
Line Volts	±10%	±10%	±10%	±10%	±10%
Lamp Watts	±9%	±9%	±9%	±9%	±9%
<b>Temperature Ratings</b>					
Insulation Class	180 (H)	180 (H)	180 (H)	180 (H)	180 (H)
Coil Temperature Code	C	E	E	D	E
Benchtop Coil Rise	83.8	93.9	92.0	89.9	91.5
<b>Power Factor (%)</b> HPF	90	90	90	90	90
<b>Input Watts</b>	457 W	457 W	457 W	457 W	457 W
<b>Efficiency</b>	87.0%	87.0%	87.0%	87.0%	87.0%
<b>NOM. Open Circuit Voltage</b>	305	305	305	305	305
<b>Input Voltage At Lamp Dropout</b>	65	105	125	140	240
<b>Min Ambient Starting Temp</b>	-20°F/-30°C	-20°F/-30°C	-20°F/-30°C	-20°F/-30°C	-20°F/-30°C
<b>60 HZ TEST PROCEDURES</b>					
<b>High Potential Test (Volts)</b>					
1 Minute	2,000 V	2,000 V	2,000 V	2,000 V	2,000 V
1 Second	2,400 V	2,400 V	2,400 V	2,400 V	2,400 V
<b>Open Circuit Voltage Test (V)</b>	275 - 335	275 - 335	275 - 335	275 - 335	275 - 335
<b>Short Circuit Current Test (A)</b>					
Secondary Current					
Min	3.50	3.50	3.50	3.50	3.50
Max	4.20	4.20	4.20	4.20	4.20
Input Current					
Min	2.70	1.60	1.40	1.20	0.70
Max	4.10	2.40	2.10	1.80	1.05
<b>CORE and COIL Specifications</b>					
Dimension (A)	2.15 in	2.15 in	2.15 in	2.15 in	2.15 in
Dimension (B)	4.20 in	4.20 in	4.20 in	4.20 in	4.20 in
Weight	11.4 lb's	11.4 lb's	11.4 lb's	11.4 lb's	11.4 lb's
Lead Lengths	12 "	12 "	12 "	12 "	12 "
<b>Capacitor Requirement</b>					
Microfarads	24.0 uf	24.0 uf	24.0 uf	24.0 uf	24.0 uf
Volts (Min)	365 V	365 V	365 V	365 V	365 V



Capacitor: ACB2470V / ACG247      Ignitor: None

Microfarads: 24.0 uf    24.0 uf  
 Volts (Max): 400 V    400 V  
 Case Temp (Max): 100 °C    100 °C  
 Height (Max): 3.25 in    4.67 in  
 Dia (Max): 1.97 in    1.80 in  
 Oval Width (Max): 2.97 in



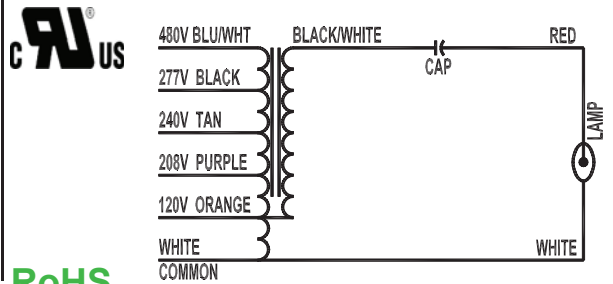
**This Ballast Does Not Require An Ignitor**

**Ordering Information    Add Suffix for options**

K - Prewired, with Dry Capacitor and Bracket Kit

Data is based upon tests performed by Venture Lighting in a controlled environment and is representative of relative performance. Actual performance can vary depending on operating conditions. Specifications are subject to change without notice.

**08/30/2022    Production**      Coil Material (PRI/SEC): Cu / Al



**RoHS**