



**BALLAST SPECIFICATION**

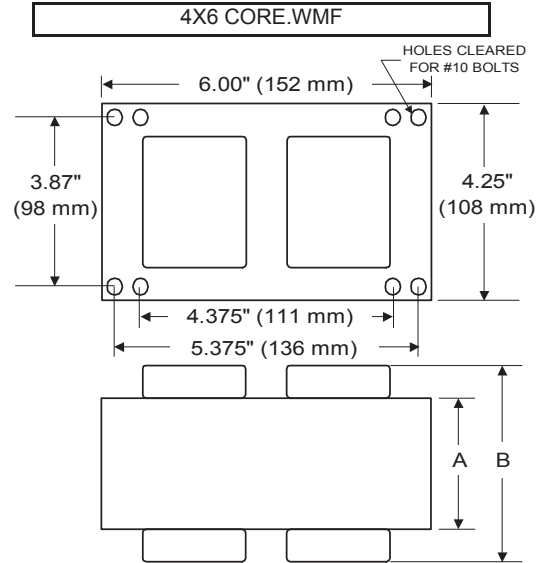
**1000W M47**

**Metal Halide**

**V90AM6514**

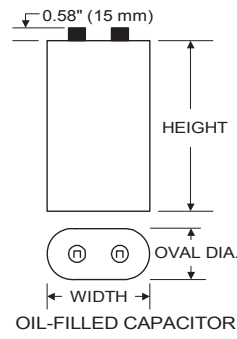
**60 Hz CWA C&C**

<b>Input Volts</b>	120	208	240	277	480
<b>Line Current ( Amps )</b>					
Operating	9.40	5.45	4.60	4.05	2.40
Open Circuit	8.20	4.60	3.75	3.40	2.10
Starting	3.80	2.35	2.15	1.85	1.00
<b>Recommended Fuse (Amps)</b>	25	15	12	10	6
<b>Regulation</b>					
Line Volts	±10%	±10%	±10%	±10%	±10%
Lamp Watts	±11%	±11%	±11%	±11%	±11%
<b>Temperature Ratings</b>					
Insulation Class	180 (H)	180 (H)	180 (H)	180 (H)	180 (H)
Coil Temperature Code	E	E	D	D	D
Benchtop Coil Rise	94.6	92.4	87.5	87.0	89.8
<b>Power Factor (%)</b> HPF	90	90	90	90	90
<b>Input Watts</b>	1080 W	1080 W	1080 W	1080 W	1080 W
<b>Efficiency</b>	93.0%	93.0%	93.0%	93.0%	93.0%
<b>NOM. Open Circuit Voltage</b>	425	425	425	425	425
<b>Input Voltage At Lamp Dropout</b>	80	140	160	185	320
<b>Min Ambient Starting Temp</b>	-20°F/-30°C	-20°F/-30°C	-20°F/-30°C	-20°F/-30°C	-20°F/-30°C
<b>60 HZ TEST PROCEDURES</b>					
<b>High Potential Test (Volts)</b>					
1 Minute	2,000 V	2,000 V	2,000 V	2,000 V	2,000 V
1 Second	2,400 V	2,400 V	2,400 V	2,400 V	2,400 V
<b>Open Circuit Voltage Test (V)</b>	385 - 465	385 - 465	385 - 465	385 - 465	385 - 465
<b>Short Circuit Current Test (A)</b>					
Secondary Current					
Min	4.85	4.85	4.85	4.85	4.85
Max	5.95	5.95	5.95	5.95	5.95
Input Current					
Min	2.65	1.75	1.65	1.40	0.75
Max	4.00	2.65	2.45	2.10	1.20
<b>CORE and COIL Specifications</b>					
Dimension (A)	3.00 in	3.00 in	3.00 in	3.00 in	3.00 in
Dimension (B)	5.15 in	5.15 in	5.15 in	5.15 in	5.15 in
Weight	19.0 lb's	19.0 lb's	19.0 lb's	19.0 lb's	19.0 lb's
Lead Lengths	12 "	12 "	12 "	12 "	12 "
<b>Capacitor Requirement</b>					
Microfarads	24.0 uf	24.0 uf	24.0 uf	24.0 uf	24.0 uf
Volts (Min)	480 V	480 V	480 V	480 V	480 V



<b>Capacitor:</b>	ACB2200V	<b>Ignitor:</b>	None
-------------------	----------	-----------------	------

<b>Microfarads:</b>	24.0 uf
<b>Volts (Max):</b>	480 V
<b>Case Temp (Max)</b>	100 °C
<b>Height (Max):</b>	4.03 in
<b>Dia (Max):</b>	1.97 in
<b>Oval Width (Max):</b>	2.97 in

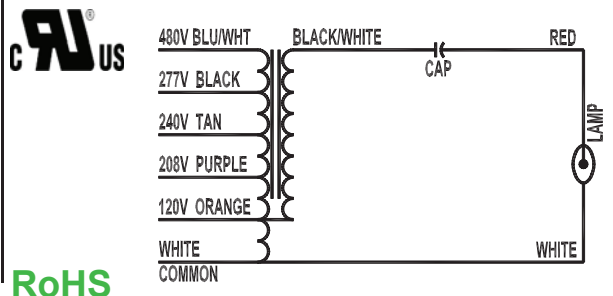


**This Ballast Does Not Require An Ignitor**

**Ordering Information    Add Suffix for options**

K - Prewired, with Oil-Filled Capacitor and Bracket Kit

Data is based upon tests performed by Venture Lighting in a controlled environment and is representative of relative performance. Actual performance can vary depending on operating conditions. Specifications are subject to change without notice.



**RoHS**