



**BALLAST SPECIFICATION**

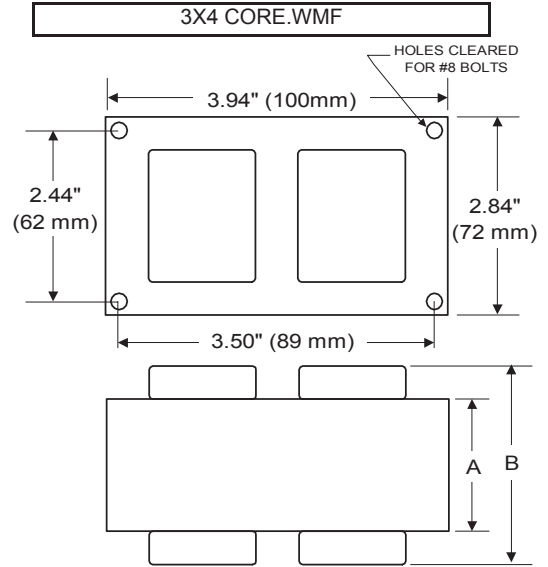
**175W M57 / M107**

**Metal Halide**

**V90D6112**

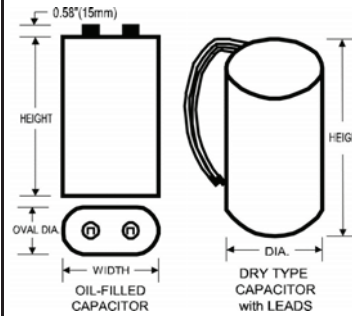
**60 Hz CWA C&C**

<b>Input Volts</b>	120	208	240	277
<b>Line Current ( Amps )</b>				
Operating	1.85	1.10	0.90	0.80
Open Circuit	1.45	0.90	0.75	0.70
Starting	1.40	0.80	0.70	0.65
<b>Recommended Fuse (Amps)</b>	5	3	3	3
<b>Regulation</b>				
Line Volts	±10%	±10%	±10%	±10%
Lamp Watts	±10%	±10%	±10%	±10%
<b>Temperature Ratings</b>				
Insulation Class	180 (H)	180 (H)	180 (H)	180 (H)
Coil Temperature Code	B	C	C	C
Benchtop Coil Rise	77.4	80.1	80.1	81.9
<b>Power Factor (%)</b> HPF	90	90	90	90
<b>Input Watts</b>	215 W	215 W	215 W	215 W
<b>Efficiency</b>				
<b>NOM. Open Circuit Voltage</b>	320	320	320	320
<b>Input Voltage At Lamp Dropout</b>	55	90	95	120
<b>Min Ambient Starting Temp</b>	-20°F/-30°C	-20°F/-30°C	-20°F/-30°C	-20°F/-30°C
<b>60 HZ TEST PROCEDURES</b>				
<b>High Potential Test (Volts)</b>				
1 Minute	1,650 V	1,650 V	1,650 V	1,650 V
1 Second	2,000 V	2,000 V	2,000 V	2,000 V
<b>Open Circuit Voltage Test (V)</b>	290 - 360	290 - 360	290 - 360	290 - 360
<b>Short Circuit Current Test (A)</b>				
Secondary Current    Min	1.55	1.55	1.55	1.55
Secondary Current    Max	1.95	1.95	1.95	1.95
Input Current        Min	1.05	0.60	0.50	0.45
Input Current        Max	1.65	0.95	0.85	0.70
<b>CORE and COIL Specifications</b>				
Dimension (A)	2.40 in	2.40 in	2.40 in	2.40 in
Dimension (B)	3.80 in	3.80 in	3.80 in	3.80 in
Weight	7.0 lb's	7.0 lb's	7.0 lb's	7.0 lb's
Lead Lengths	12 "	12 "	12 "	12 "
<b>Capacitor Requirement</b>				
Microfarads	10.0 uf	10.0 uf	10.0 uf	10.0 uf
Volts (Min)	400 V	400 V	400 V	400 V



Capacitor: ACB2790V / ACG279      Ignitor: None

Microfarads:	10.0 uf	10.0 uf
Volts (Max):	400 V	400 V
Case Temp (Max)	100 °C	100 °C
Height (Max):	3.00 in	3.68 in
Dia (Max):	1.62 in	1.61 in
Oval Width (Max):	2.75 in	



**This Ballast Does Not Require An Ignitor**

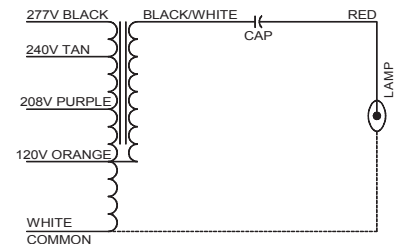
Ordering Information    Add Suffix for options

K - Prewired, with Dry Capacitor and Bracket Kit

Data is based upon tests performed by Venture Lighting in a controlled environment and is representative of relative performance. Actual performance can vary depending on operating conditions. Specifications are subject to change without notice.



**RoHS**



**08/30/2022    Production**

Coil Material (PRI/SEC): Cu / Al