



BALLAST SPECIFICATION

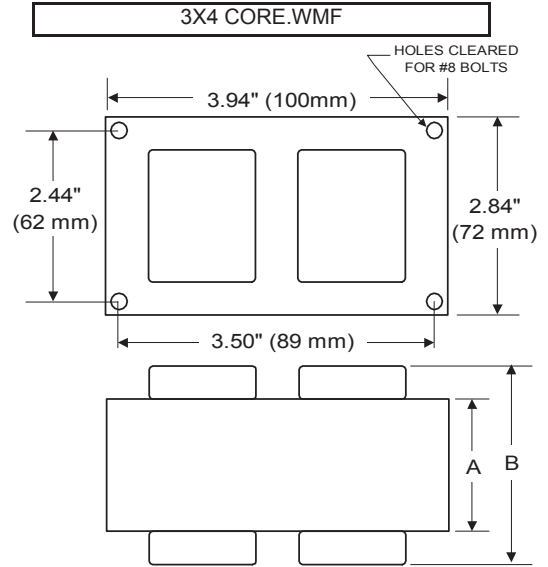
175W M57 / M107

Metal Halide

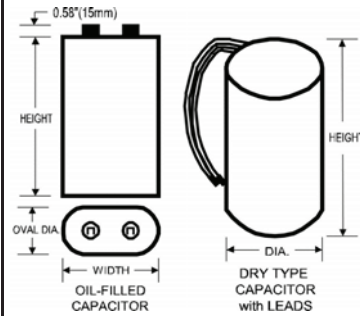
V90J6112

60 Hz CWA C&C

Input Volts	120	277	347
Line Current (Amps)			
Operating	1.85	0.80	0.65
Open Circuit	1.85	0.80	0.65
Starting	1.30	0.60	0.45
Recommended Fuse (Amps)	5	2	2
Regulation			
Line Volts	±10%	±10%	±10%
Lamp Watts	±9%	±9%	±9%
Temperature Ratings			
Insulation Class	180 (H)	180 (H)	180 (H)
Coil Temperature Code	C	D	D
Benchtop Coil Rise	81.5	85.1	88.5
Power Factor (%) HPF	90	90	90
Input Watts	215 W	215 W	215 W
Efficiency	81.0%	81.0%	81.0%
NOM. Open Circuit Voltage	335	335	335
Input Voltage At Lamp Dropout	55	115	135
Min Ambient Starting Temp	-20°F/-30°C	-20°F/-30°C	-20°F/-30°C
60 HZ TEST PROCEDURES			
High Potential Test (Volts)			
1 Minute	1,700 V	1,700 V	1,700 V
1 Second	2,000 V	2,000 V	2,000 V
Open Circuit Voltage Test (V)	300 - 365	300 - 365	300 - 365
Short Circuit Current Test (A)			
Secondary Current Min	1.55	1.55	1.55
Max	1.95	1.95	1.95
Input Current Min	1.00	0.45	0.35
Max	1.50	0.70	0.55
CORE and COIL Specifications			
Dimension (A)	2.40 in	2.40 in	2.40 in
Dimension (B)	3.80 in	3.80 in	3.80 in
Weight	7.0 lb's	7.0 lb's	7.0 lb's
Lead Lengths	12 "	12 "	12 "
Capacitor Requirement			
Microfarads	10.0 uf	10.0 uf	10.0 uf
Volts (Min)	400 V	400 V	400 V



Capacitor:	ACB2790V / ACG279	Ignitor:	None
Microfarads:	10.0 uf	10.0 uf	
Volts (Max):	400 V	400 V	
Case Temp (Max)	100 °C	100 °C	
Height (Max):	3.00 in	3.68 in	
Dia (Max):	1.62 in	1.61 in	
Oval Width (Max):	2.75 in		



This Ballast Does Not Require An Ignitor

Ordering Information Add Suffix for options

K - Prewired, with Dry Capacitor and Bracket Kit

Data is based upon tests performed by Venture Lighting in a controlled environment and is representative of relative performance. Actual performance can vary depending on operating conditions. Specifications are subject to change without notice.

08/30/2022 Production Coil Material (PRI/SEC): Cu / Al



RoHS

