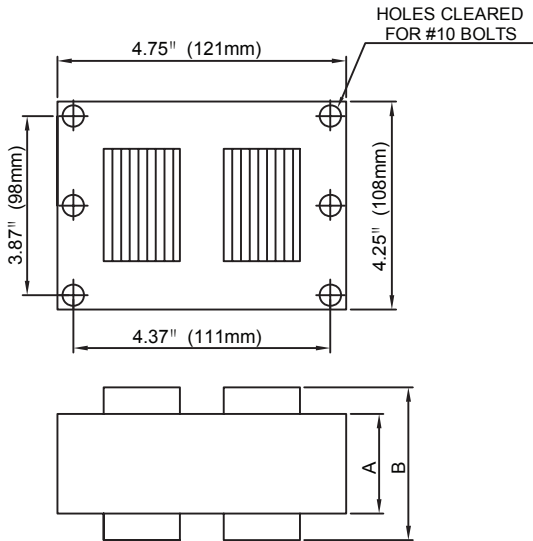




CATALOG NUMBER: V90AM1710K
250W S50
High Pressure Sodium Lamp Ballast
60 Hz CWA

4X4 CORE - HX, CWA & CWI UNITS



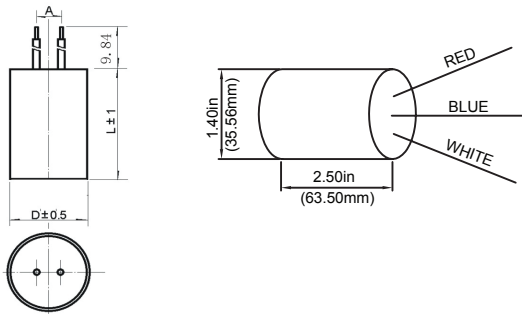
Input Volts		120	208	240	277	480
Circuit Type	CWA					
REGULATION						
Line Volts	±10%					
Lamp Watts	±13%					
LINE CURRENT(Amps)						
Operating		2.50	1.45	1.25	1.10	0.66
Open Circuit		1.90	1.10	0.95	0.85	0.45
Starting		1.80	1.00	0.90	0.75	0.36
RECOMMENDED FUSE (Amps)						
		7	4	4	3	2
TEMPERATURE RATINGS						
Insulation Class	H					
Coil Temperature Code	B					
Benchtop Coil Rise		77.4	79.3	79.1	77.9	77.9
Power Factor (Min)	90%					
Input Watts	295 W					
Current Crest Factor						
NOM. OPEN CIRCUIT VOLTAGE						
	195					
INPUT VOLTAGE AT LAMP DROPOUT						
		85	145	170	195	323
MIN AMBIENT STARTING TEMP						
	-40°F/-40°C					
60 HZ TEST PROCEDURES						
High Potential Test (Volts)						
1 Minute	1,600 V					
1 Second	2,000 V					
Open Circuit Voltage Test (V)						
	175 - 215					
Short Circuit Current Test (A)						
Secondary Current	Min	3.80				
	Max	4.70				
Input Current	Min	1.25	0.70	0.60	0.50	0.19
	Max	1.90	1.10	0.95	0.85	0.28
CORE and COIL Specifications						
Dimension A (in)	2.16					
Dimension B (in)	3.74					
Weight (lbs)	11.0					
Lead Lengths (in)	12					
CAPACITOR REQUIREMENT						
Microfarads	35.0 uf					
Volts (Min)	240 V					

Capacitor:

Microfarads: 35.0 uf
 Volts (Min): 240 V
 Case Temp(Max): 100°C
 D: 1.77 in
 L: 3.66 in
 A: 0.71 in

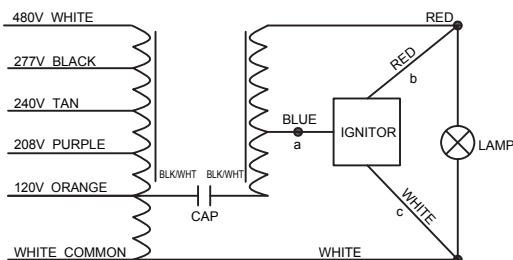
Ignitor:

Temp: 105 °C
 BTL : 2 ft



Dry Type Capacitor with Leads

Wiring Diagram:



ORDERING INFORMATION

The ballast comes with a kit including capacitor, ignitor and bracket.

Data is based upon tests performed in a controlled environment and is representative of relative performance. Actual performance can vary depending on operating conditions. Specifications are subject to change without notice.

Coil material: Al/Al