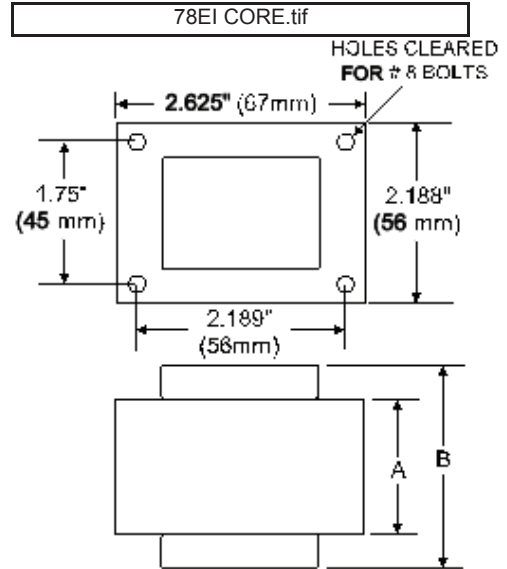




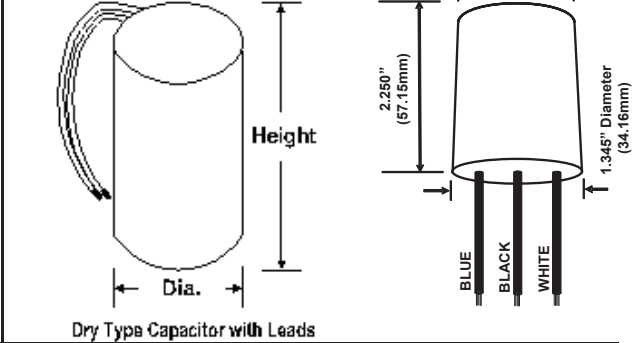
**BALLAST SPECIFICATION**

**100W S54**  
**High Pressure Sodium**  
**V90B1322**  
**60 Hz RCT C&C**

Input Volts	120-HPF	120-NPF
Line Current ( Amps )		
Operating	1.05	2.15
Open Circuit	1.80	0.00
Starting	1.20	2.60
Recommended Fuse (Amps)	3	6
Regulation		
Line Volts	±5%	±5%
Lamp Watts	±8%	±8%
Temperature Ratings		
Insulation Class	180 (H)	180 (H)
Coil Temperature Code	E	E
Benchtop Coil Rise		
Power Factor (%) HPF/NPF	90/40	90/40
Input Watts	118 W	118 W
Efficiency		
NOM. Open Circuit Voltage	120	120
Input Voltage At Lamp Dropout	95	95
Min Ambient Starting Temp	-40°F/-40°C	-40°F/-40°C
<b>60 HZ TEST PROCEDURES</b>		
High Potential Test (Volts)		
1 Minute	1,300 V	1,300 V
1 Second	1,500 V	1,500 V
Open Circuit Voltage Test (V)	110 - 130	110 - 130
Short Circuit Current Test (A)		
Secondary Current		
Min	2.45	2.45
Max	2.95	2.95
Input Current		
Min	0.75	2.45
Max	1.15	2.95
<b>CORE and COIL Specifications</b>		
Dimension (A)	1.48 in	1.48 in
Dimension (B)	2.45 in	2.45 in
Weight	3.0 lb's	3.0 lb's
Lead Lengths	12 "	12 "
<b>Capacitor Requirement</b>		
Microfarads	40.0 uf	40.0 uf
Volts (Min)	120 V	120 V



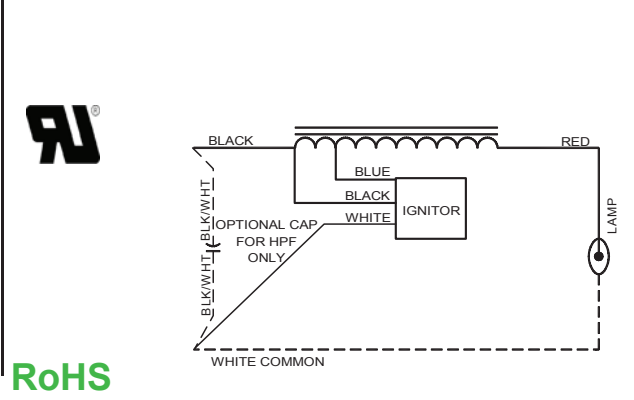
Capacitor:	ACG004	Ignitor:	BVS-004-A
Microfarads:	40.0 uf	Case Temp (Max):	105 °C
Volts (Max):	280 V	BTL Distance (Max)	2 ft
Case Temp (Max)	100 °C		
Height (Max):	3.74 in		
Dia (Max):	1.80 in		
Oval Width (Max):			



**Ordering Information**    Add Suffix for options  
 C - With Dry Capacitor  
 CB - With Dry Capacitor and Welded Bracket  
 B - With Welded Bracket, no Capacitor  
 K - Prewired, with Dry Capacitor and Bracket Kit

Data is based upon tests performed by Venture Lighting in a controlled environment and is representative of relative performance. Actual performance can vary depending on operating conditions. Specifications are subject to change without notice.

**04/22/2020**    **Production**    Coil Material: Cu



**RoHS**