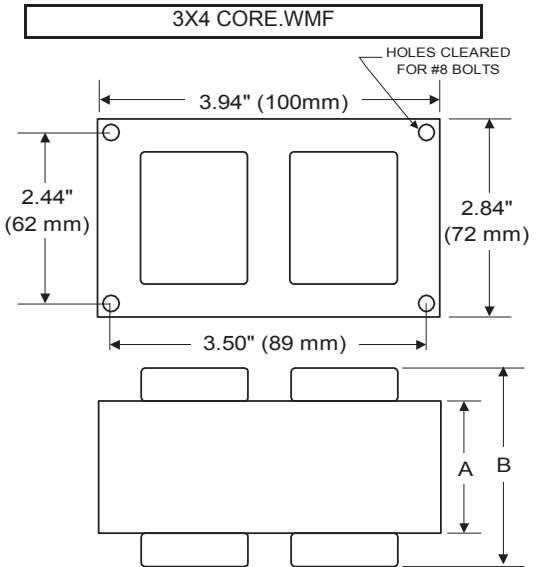




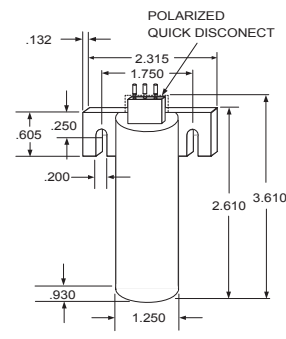
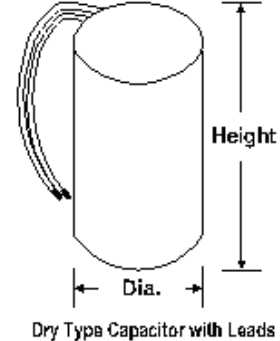
**BALLAST SPECIFICATION**

**150W S55**  
**High Pressure Sodium**  
**V90C1454**  
**60 Hz CWI C&C**

<b>Input Volts</b>	120	208	240
<b>Line Current ( Amps )</b>			
Operating	1.70	1.00	0.85
Open Circuit	0.80	0.50	0.40
Starting	1.00	0.60	0.50
<b>Recommended Fuse (Amps)</b>	5	3	3
<b>Regulation</b>			
Line Volts	±10%	±10%	±10%
Lamp Watts	±10%	±10%	±10%
<b>Temperature Ratings</b>			
Insulation Class	180 (H)	180 (H)	180 (H)
Coil Temperature Code	B	A	A
Benchtop Coil Rise	79.0	74.2	73.8
<b>Power Factor (%) HPF</b>	90	90	90
<b>Input Watts</b>	190 W	190 W	190 W
<b>Efficiency</b>	78.0%	78.0%	78.0%
<b>NOM. Open Circuit Voltage</b>	120	120	120
<b>Input Voltage At Lamp Dropout</b>	90	155	180
<b>Min Ambient Starting Temp</b>	-40°F/-40°C	-40°F/-40°C	-40°F/-40°C
<b>60 HZ TEST PROCEDURES</b>			
<b>High Potential Test (Volts)</b>			
1 Minute	1,500 V	1,500 V	1,500 V
1 Second	1,800 V	1,800 V	1,800 V
<b>Open Circuit Voltage Test (V)</b>	105 - 135	105 - 135	105 - 135
<b>Short Circuit Current Test (A)</b>			
Secondary Current	Min 3.95 Max 4.85	Min 3.95 Max 4.85	Min 3.95 Max 4.85
Input Current	Min 0.50 Max 0.80	Min 0.30 Max 0.45	Min 0.25 Max 0.40
<b>CORE and COIL Specifications</b>			
Dimension (A)	3.15 in	3.15 in	3.15 in
Dimension (B)	4.60 in	4.60 in	4.60 in
Weight	9.5 lb's	9.5 lb's	9.5 lb's
Lead Lengths	12 "	12 "	12 "
<b>Capacitor Requirement</b>			
Microfarads	51.0 uf	51.0 uf	51.0 uf
Volts (Min)	180 V	180 V	180 V



<b>Capacitor:</b>	ACG240	<b>Ignitor:</b>	BVS-006
Microfarads:	51.0 uf	Case Temp (Max):	105 °C
Volts (Max):	280 V	BTL Distance (Max)	5 ft
Case Temp (Max)	100 °C		
Height (Max):	4.80 in		
Dia (Max):	1.80 in		
Oval Width (Max):			



**Ordering Information**    Add Suffix for options  
 C - With Dry Capacitor  
 CB - With Dry Capacitor and Welded Bracket  
 B - With Welded Bracket, no Capacitor  
 K - Prewired, with Dry Capacitor and Bracket Kit

Data is based upon tests performed by Venture Lighting in a controlled environment and is representative of relative performance. Actual performance can vary depending on operating conditions. Specifications are subject to change without notice.

**04/22/2020**    **Production**    Coil Material (PRI/SEC): Cu / Cu



**RoHS**

