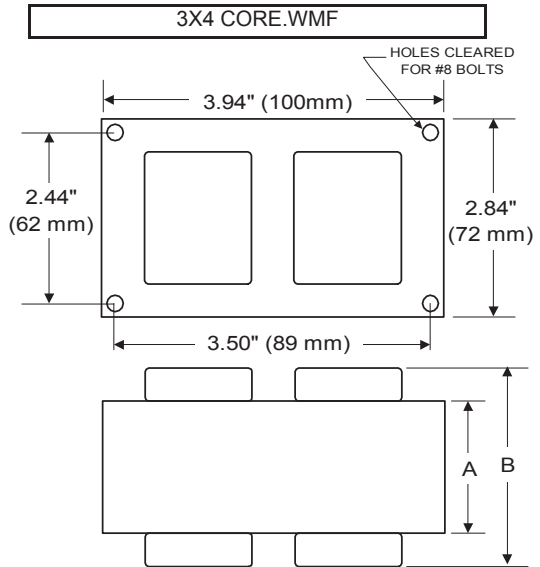




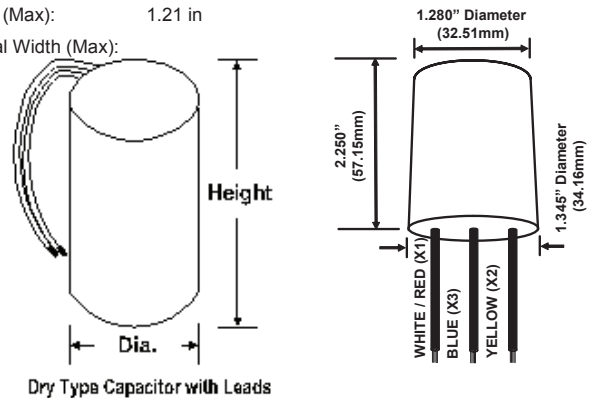
BALLAST SPECIFICATION

70W S62
High Pressure Sodium
V90D1233
60 Hz HX C&C

Input Volts	120	208	240	277
Line Current (Amps)				
Operating	0.80	0.45	0.40	0.35
Open Circuit	1.50	0.85	0.75	0.65
Starting	0.60	0.35	0.30	0.25
Recommended Fuse (Amps)	4	3	2	2
Regulation				
Line Volts	±5%	±5%	±5%	±5%
Lamp Watts	±10%	±10%	±10%	±10%
Temperature Ratings				
Insulation Class	180 (H)	180 (H)	180 (H)	180 (H)
Coil Temperature Code	A	A	A	A
Benchtop Coil Rise	51.2	48.8	50.7	48.3
Power Factor (%) HPF	90	90	90	90
Input Watts	90 W	90 W	90 W	90 W
Efficiency				
NOM. Open Circuit Voltage	120	120	120	120
Input Voltage At Lamp Dropout	90	160	180	205
Min Ambient Starting Temp	-40°F/-40°C	-40°F/-40°C	-40°F/-40°C	-40°F/-40°C
60 HZ TEST PROCEDURES				
High Potential Test (Volts)				
1 Minute	2,000 V	2,000 V	2,000 V	2,000 V
1 Second	2,500 V	2,500 V	2,500 V	2,500 V
Open Circuit Voltage Test (V)	105 - 135	105 - 135	105 - 135	105 - 135
Short Circuit Current Test (A)				
Secondary Current				
Min	1.80	1.80	1.80	1.80
Max	2.20	2.20	2.20	2.20
Input Current				
Min	0.40	0.25	0.20	0.15
Max	0.70	0.40	0.35	0.30
CORE and COIL Specifications				
Dimension (A)	1.50 in	1.50 in	1.50 in	1.50 in
Dimension (B)	2.95 in	2.95 in	2.95 in	2.95 in
Weight	4.6 lb's	4.6 lb's	4.6 lb's	4.6 lb's
Lead Lengths	12 "	12 "	12 "	12 "
Capacitor Requirement				
Microfarads	7.0 uf	7.0 uf	7.0 uf	7.0 uf
Volts (Min)	280 V	280 V	280 V	280 V



Capacitor:	ACG226	Ignitor:	BVS-006-A
Microfarads:	7.0 uf	Case Temp (Max):	105 °C
Volts (Max):	330 V	BTL Distance (Max)	5 ft
Case Temp (Max)	100 °C		
Height (Max):	2.76 in		
Dia (Max):	1.21 in		
Oval Width (Max):			



Ordering Information Add Suffix for options
 C - With Dry Capacitor
 CB - With Dry Capacitor and Welded Bracket
 B - With Welded Bracket, no Capacitor
 K - Prewired, with Dry Capacitor and Bracket Kit

Data is based upon tests performed by Venture Lighting in a controlled environment and is representative of relative performance. Actual performance can vary depending on operating conditions. Specifications are subject to change without notice.

08/25/2022 **Production** Coil Material (PRI/SEC): Cu / Al



RoHS

