



BALLAST SPECIFICATION

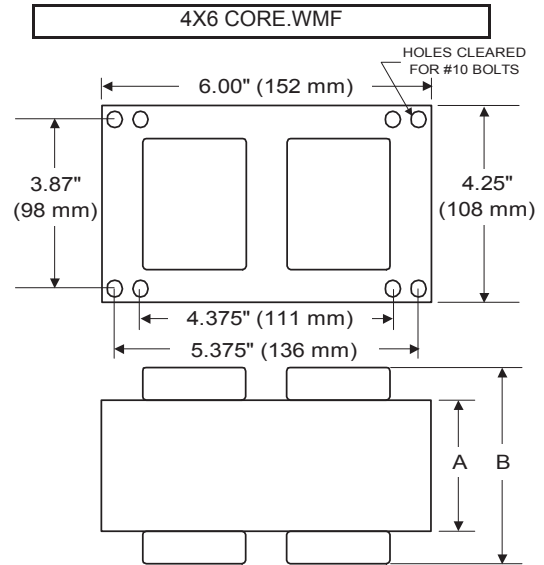
1000W S52

High Pressure Sodium

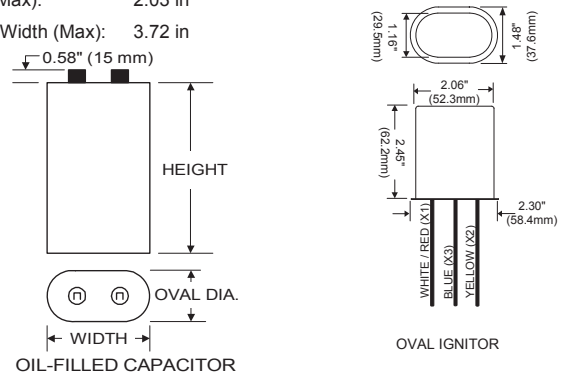
V90E2353

60 Hz CWI C&C

Input Volts	120	240
Line Current (Amps)		
Operating	9.50	4.75
Open Circuit	6.00	3.00
Starting	4.30	2.15
Recommended Fuse (Amps)	24	12
Regulation		
Line Volts	±10%	±10%
Lamp Watts	±8%	±8%
Temperature Ratings		
Insulation Class	180 (H)	180 (H)
Coil Temperature Code	A	C
Benchtop Coil Rise		
Power Factor (%) HPF	90	90
Input Watts	1095 W	1095 W
Efficiency		
NOM. Open Circuit Voltage	440	440
Input Voltage At Lamp Dropout	90	180
Min Ambient Starting Temp	-40°F/-40°C	-40°F/-40°C
60 HZ TEST PROCEDURES		
High Potential Test (Volts)		
1 Minute	2,000 V	2,000 V
1 Second	2,500 V	2,500 V
Open Circuit Voltage Test (V)	400 - 480	400 - 480
Short Circuit Current Test (A)		
Secondary Current	Min 6.00	Min 6.00
Max 7.30	Max 7.30	Max 7.30
Input Current	Min 3.20	Min 1.60
Max 5.40	Max 5.40	Max 2.70
CORE and COIL Specifications		
Dimension (A)	5.50 in	5.50 in
Dimension (B)	7.25 in	7.25 in
Weight	40.0 lb's	40.0 lb's
Lead Lengths	12 "	12 "
Capacitor Requirement		
Microfarads	22.0 uf	22.0 uf
Volts (Min)	660 V	660 V



Capacitor:	ACB274OV	Ignitor:	BVS-020
Microfarads:	22.0 uf	Case Temp (Max):	105 °C
Volts (Max):	660 V	BTL Distance (Max)	5 ft
Case Temp (Max)	100 °C		
Height (Max):	3.90 in		
Dia (Max):	2.03 in		
Oval Width (Max):	3.72 in		



Ordering Information Add Suffix for options
 C - With Oil-Filled Capacitor
 CB - With Oil-Filled Capacitor and Welded Bracket
 B - With Welded Bracket, no Capacitor
 K - Prewired, with Oil-Filled Capacitor and Bracket Kit

Data is based upon tests performed by Venture Lighting in a controlled environment and is representative of relative performance. Actual performance can vary depending on operating conditions. Specifications are subject to change without notice.

04/22/2020 Production Coil Material (PRI/SEC): Cu / Cu



RoHS

