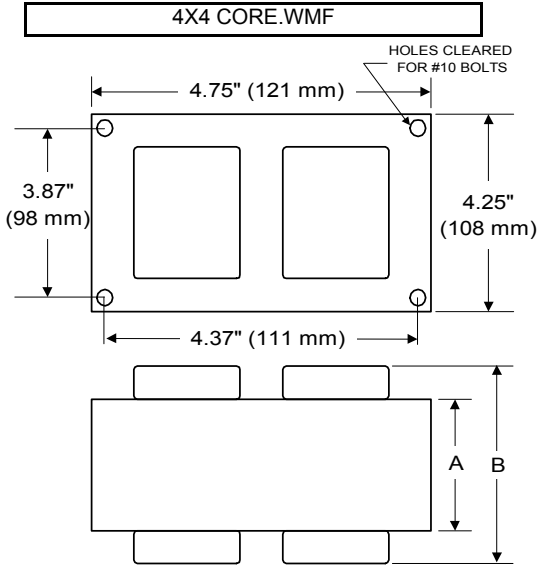




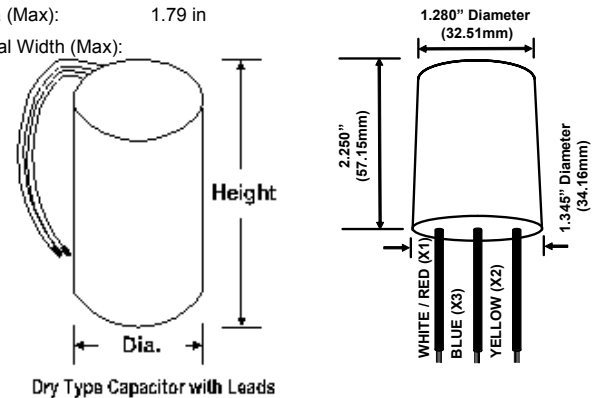
BALLAST SPECIFICATION

250W S50
High Pressure Sodium
V90J1711
60 Hz CWA C&C

Input Volts	120	277	347
Line Current (Amps)			
Operating	2.70	1.15	0.95
Open Circuit	1.80	0.80	0.60
Starting	2.00	0.85	0.70
Recommended Fuse (Amps)	7	3	3
Regulation			
Line Volts	±10%	±10%	±10%
Lamp Watts	±13%	±13%	±13%
Temperature Ratings			
Insulation Class	180 (H)	180 (H)	180 (H)
Coil Temperature Code	B	A	B
Benchtop Coil Rise	75.8	74.6	76.0
Power Factor (%) HPF	90	90	90
Input Watts	295 W	295 W	295 W
Efficiency			
NOM. Open Circuit Voltage	200	200	200
Input Voltage At Lamp Dropout	85	195	245
Min Ambient Starting Temp	-40°F/-40°C	-40°F/-40°C	-40°F/-40°C
60 HZ TEST PROCEDURES			
High Potential Test (Volts)			
1 Minute	2,000 V	2,000 V	2,000 V
1 Second	2,400 V	2,400 V	2,400 V
Open Circuit Voltage Test (V)	180 - 220	180 - 220	180 - 220
Short Circuit Current Test (A)			
Secondary Current			
Min	3.85	3.85	3.85
Max	4.75	4.75	4.75
Input Current			
Min	1.45	0.60	0.45
Max	2.25	0.95	0.75
CORE and COIL Specifications			
Dimension (A)	1.80 in	1.80 in	1.80 in
Dimension (B)	3.60 in	3.60 in	3.60 in
Weight	11.0 lb's	11.0 lb's	11.0 lb's
Lead Lengths	12 "	12 "	12 "
Capacitor Requirement			
Microfarads	35.0 uf	35.0 uf	35.0 uf
Volts (Min)	240 V	240 V	240 V



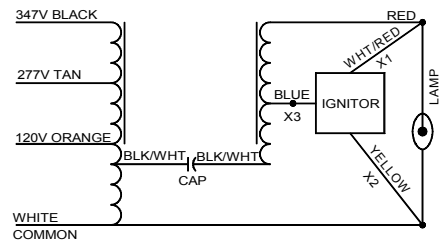
Capacitor:	ACG172	Ignitor:	BVS-005-A
Microfarads:	35.0 uf	Case Temp (Max):	105 °C
Volts (Max):	280 V	BTL Distance (Max)	2 ft
Case Temp (Max)	100 °C		
Height (Max):	3.74 in		
Dia (Max):	1.79 in		
Oval Width (Max):			



Ordering Information Add Suffix for options
 K - Prewired, with Dry Capacitor and Bracket Kit

Data is based upon tests performed by Venture Lighting in a controlled environment and is representative of relative performance. Actual performance can vary depending on operating conditions. Specifications are subject to change without notice.

5/11/2018 **Production** Coil Material (PRI/SEC): Cu / Cu



RoHS