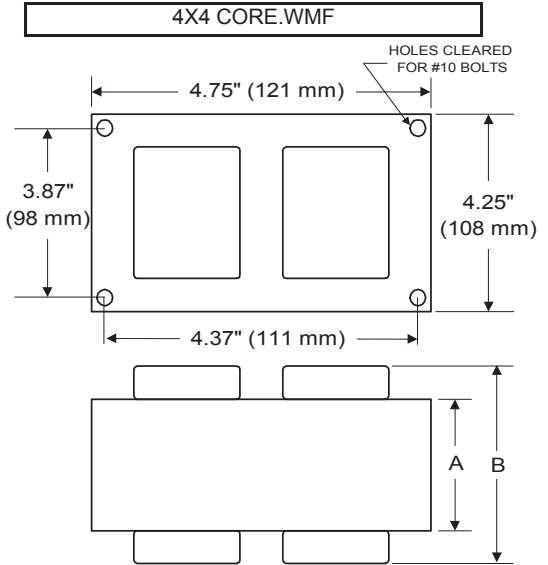




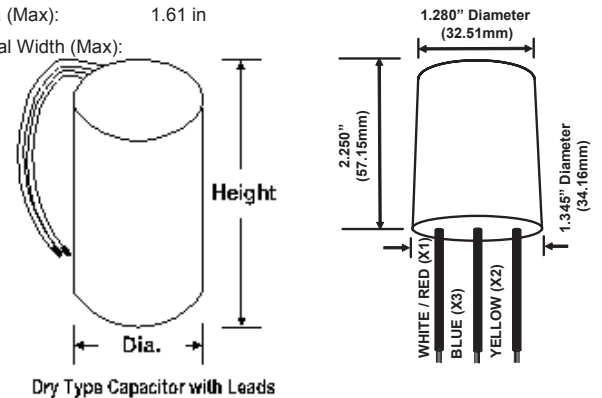
**BALLAST SPECIFICATION**

**350W M131**  
**Pulse Start Metal Halide**  
**V90D7513**  
**60 Hz CWA C&C**

<b>Input Volts</b>	120	208	240	277
<b>Line Current ( Amps )</b>				
Operating	3.45	1.95	1.75	1.50
Open Circuit	1.60	0.90	0.80	0.70
Starting	3.10	1.80	1.55	1.35
<b>Recommended Fuse (Amps)</b>	9	6	5	4
<b>Regulation</b>				
Line Volts	±10%	±10%	±10%	±10%
Lamp Watts	±10%	±10%	±10%	±10%
<b>Temperature Ratings</b>				
Insulation Class	180 (H)	180 (H)	180 (H)	180 (H)
Coil Temperature Code	A	C	D	D
Benchtop Coil Rise	74.8	83.1	85.7	86.0
<b>Power Factor (%)</b> HPF	90	90	90	90
<b>Input Watts</b>	398 W	398 W	398 W	398 W
<b>Efficiency</b>	88.0%	88.0%	88.0%	88.0%
<b>NOM. Open Circuit Voltage</b>	245	245	245	245
<b>Input Voltage At Lamp Dropout</b>	80	145	150	170
<b>Min Ambient Starting Temp</b>	-20°F/-30°C*	-20°F/-30°C*	-20°F/-30°C*	-20°F/-30°C*
<b>60 HZ TEST PROCEDURES</b>				
<b>High Potential Test (Volts)</b>				
1 Minute	1,600 V	1,600 V	1,600 V	1,600 V
1 Second	1,900 V	1,900 V	1,900 V	1,900 V
<b>Open Circuit Voltage Test (V)</b>	220 - 270	220 - 270	220 - 270	220 - 270
<b>Short Circuit Current Test (A)</b>				
Secondary Current				
Min	3.15	3.15	3.15	3.15
Max	3.85	3.85	3.85	3.85
Input Current				
Min	2.45	1.40	1.25	1.05
Max	3.65	2.10	1.85	1.60
<b>CORE and COIL Specifications</b>				
Dimension (A)	1.92 in	1.92 in	1.92 in	1.92 in
Dimension (B)	4.00 in	4.00 in	4.00 in	4.00 in
Weight	9.5 lb's	9.5 lb's	9.5 lb's	9.5 lb's
Lead Lengths	12 "	12 "	12 "	12 "
<b>Capacitor Requirement</b>				
Microfarads	24.0 uf	24.0 uf	24.0 uf	24.0 uf
Volts (Min)	330 V	330 V	330 V	330 V



<b>Capacitor:</b>	ACG213	<b>Ignitor:</b>	BVS-041
Microfarads:	24.0 uf	Case Temp (Max):	105 °C
Volts (Max):	330 V	BTL Distance (Max)	2 ft
Case Temp (Max)	100 °C		
Height (Max):	3.68 in		
Dia (Max):	1.61 in		
Oval Width (Max):			



**Ordering Information**    Add Suffix for options  
 C - With Dry Capacitor  
 CB - With Dry Capacitor and Welded Bracket  
 B - With Welded Bracket, no Capacitor  
 K - Prewired, with Dry Capacitor and Bracket Kit

\* -40°F/-40°C Min Ambient Starting Temp with Venture Lamp

Data is based upon tests performed by Venture Lighting in a controlled environment and is representative of relative performance. Actual performance can vary depending on operating conditions. Specifications are subject to change without notice.

**04/21/2020**    **Production**    Coil Material (PRI/SEC): AI / AI



**RoHS**

