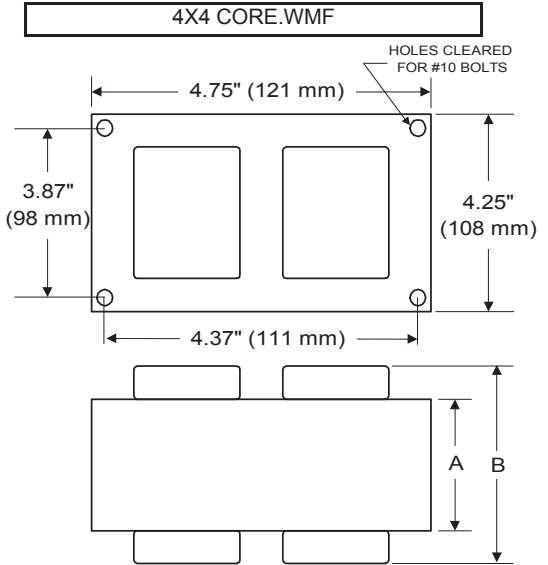




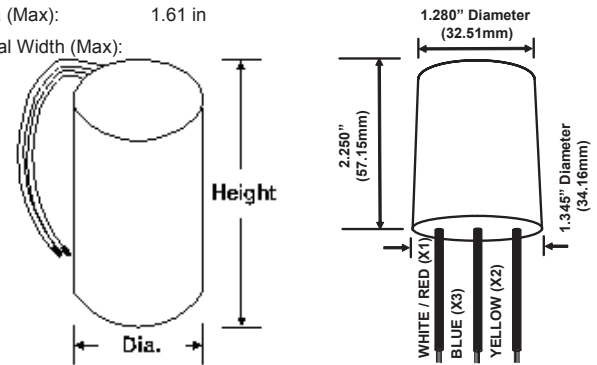
BALLAST SPECIFICATION

350W M131
Pulse Start Metal Halide
V90Y7513T
60 Hz CWA C&C

Input Volts	480
Line Current (Amps)	
Operating	0.85
Open Circuit	0.55
Starting	0.65
Recommended Fuse (Amps)	3
Regulation	
Line Volts	±10%
Lamp Watts	±10%
Temperature Ratings	
Insulation Class	180 (H)
Coil Temperature Code	C
Benchtop Coil Rise	80.9
Power Factor (%) HPF	90
Input Watts	398 W
Efficiency	88.0%
NOM. Open Circuit Voltage	250
Input Voltage At Lamp Dropout	300
Min Ambient Starting Temp	-20°F/-30°C*
60 HZ TEST PROCEDURES	
High Potential Test (Volts)	
1 Minute	2,000 V
1 Second	2,400 V
Open Circuit Voltage Test (V)	225 - 275
Short Circuit Current Test (A)	
Secondary Current	Min 3.15 Max 3.85
Input Current	Min 0.50 Max 0.75
CORE and COIL Specifications	
Dimension (A)	2.00 in
Dimension (B)	4.10 in
Weight	10.0 lb's
Lead Lengths	12 "
Capacitor Requirement	
Microfarads	24.0 uf
Volts (Min)	330 V



Capacitor:	ACG213	Ignitor:	BVS-041
Microfarads:	24.0 uf	Case Temp (Max):	105 °C
Volts (Max):	330 V	BTL Distance (Max)	2 ft
Case Temp (Max)	100 °C		
Height (Max):	3.68 in		
Dia (Max):	1.61 in		
Oval Width (Max):			



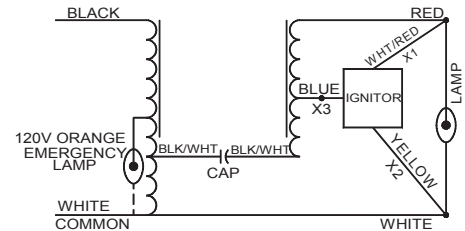
Dry Type Capacitor with Leads

Ordering Information Add Suffix for options
 C - With Dry Capacitor
 CB - With Dry Capacitor and Welded Bracket
 B - With Welded Bracket, no Capacitor
 K - Prewired, with Dry Capacitor and Bracket Kit

* -40°F/-40°C Min Ambient Starting Temp with Venture Lamp

Data is based upon tests performed by Venture Lighting in a controlled environment and is representative of relative performance. Actual performance can vary depending on operating conditions. Specifications are subject to change without notice.

04/21/2020 **Production** Coil Material (PRI/SEC): AI / AI



RoHS