



**BALLAST SPECIFICATION**

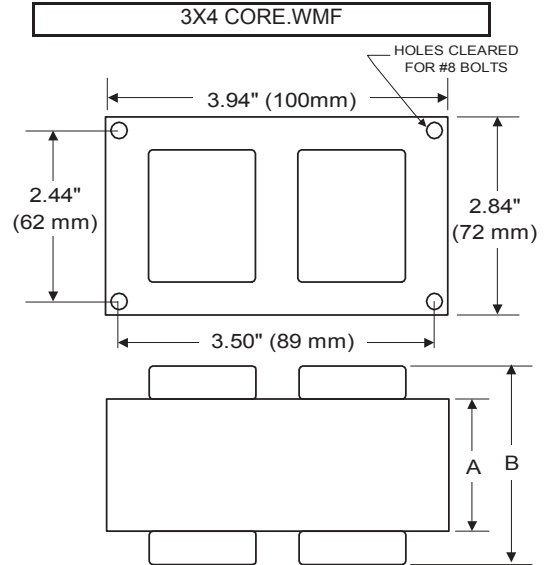
**175W M57 / M107**

**Metal Halide**

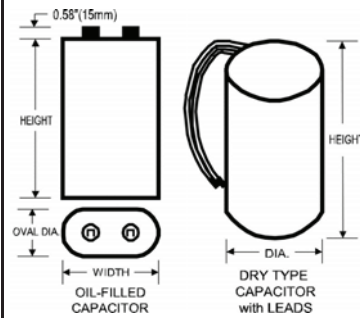
**V90J6112**

**60 Hz CWA C&C**

<b>Input Volts</b>	120	277	347
<b>Line Current ( Amps )</b>			
Operating	1.85	0.80	0.65
Open Circuit	1.85	0.80	0.65
Starting	1.30	0.60	0.45
<b>Recommended Fuse (Amps)</b>	5	2	2
<b>Regulation</b>			
Line Volts	±10%	±10%	±10%
Lamp Watts	±9%	±9%	±9%
<b>Temperature Ratings</b>			
Insulation Class	180 (H)	180 (H)	180 (H)
Coil Temperature Code	C	D	D
Benchtop Coil Rise	81.5	85.1	88.5
<b>Power Factor (%) HPF</b>	90	90	90
<b>Input Watts</b>	215 W	215 W	215 W
<b>Efficiency</b>	81.0%	81.0%	81.0%
<b>NOM. Open Circuit Voltage</b>	335	335	335
<b>Input Voltage At Lamp Dropout</b>	55	115	135
<b>Min Ambient Starting Temp</b>	-20°F/-30°C	-20°F/-30°C	-20°F/-30°C
<b>60 HZ TEST PROCEDURES</b>			
<b>High Potential Test (Volts)</b>			
1 Minute	1,700 V	1,700 V	1,700 V
1 Second	2,000 V	2,000 V	2,000 V
<b>Open Circuit Voltage Test (V)</b>	300 - 365	300 - 365	300 - 365
<b>Short Circuit Current Test (A)</b>			
Secondary Current	Min 1.55 Max 1.95	Min 1.55 Max 1.95	Min 1.55 Max 1.95
Input Current	Min 1.00 Max 1.50	Min 0.45 Max 0.70	Min 0.35 Max 0.55
<b>CORE and COIL Specifications</b>			
Dimension (A)	2.40 in	2.40 in	2.40 in
Dimension (B)	3.80 in	3.80 in	3.80 in
Weight	7.0 lb's	7.0 lb's	7.0 lb's
Lead Lengths	12 "	12 "	12 "
<b>Capacitor Requirement</b>			
Microfarads	10.0 uf	10.0 uf	10.0 uf
Volts (Min)	400 V	400 V	400 V



<b>Capacitor:</b>	ACB2790V / ACG279	<b>Ignitor:</b>	None
<b>Microfarads:</b>	10.0 uf	10.0 uf	
<b>Volts (Max):</b>	400 V	400 V	
<b>Case Temp (Max)</b>	100 °C	100 °C	
<b>Height (Max):</b>	3.00 in	3.68 in	
<b>Dia (Max):</b>	1.62 in	1.61 in	
<b>Oval Width (Max):</b>	2.75 in		



**This Ballast Does Not Require An Ignitor**

**Ordering Information**    Add Suffix for options  
 C - With Oil-Filled Capacitor  
 CB - With Oil-Filled Capacitor and Welded Bracket  
 B - With Welded Bracket, no Capacitor  
 K - Prewired, with Dry Capacitor and Bracket Kit  
 D - With Dry Capacitor  
 DB - With Dry Capacitor and Welded Bracket

Data is based upon tests performed by Venture Lighting in a controlled environment and is representative of relative performance. Actual performance can vary depending on operating conditions. Specifications are subject to change without notice.

**04/22/2020    Production**                      Coil Material (PRI/SEC): Cu / Al



**RoHS**

